

Specification sheet LX 1385

Roof drainage systems

Series 84 DRAINLET[®]

Emergency drainage

Gravity flow

Silent Power

Discharge rate:	7,5 l/sec
Water height:	75 mm
Roof penetration:	-
Diameter:	DN 50
LX-Number:	LX 1385
Weir height:	35 mm
Drain:	ventilated
Downpipe:	not ventilated
Downpipe height:	4,2 m
Drainage:	on floor

LX 1385 Piece list

1 x Art.-No. choose drain on page two!

1 x Art.-No. 01401.050X, LORO-X Pipe with one socket

2 x Art.-Nr. 00350.050X, LORO-X Bend

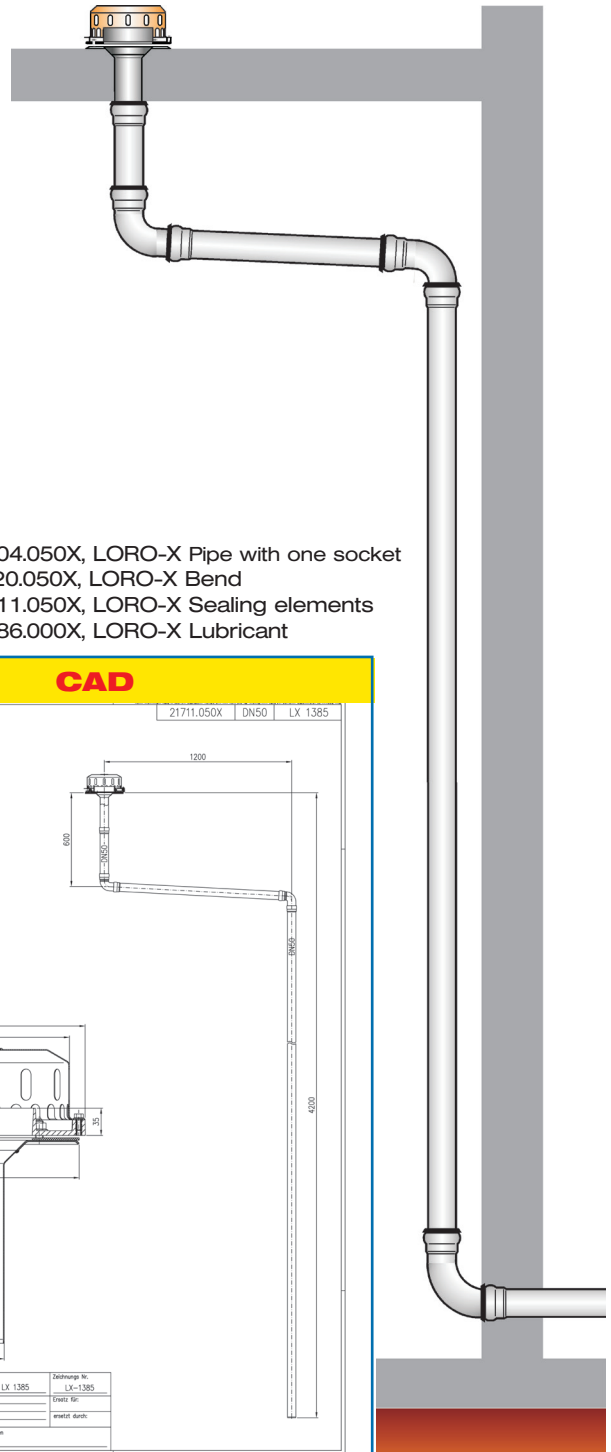
1 x Art.-Nr. 01201.050X, LORO-X Pipe with one socket

1 x Art.-Nr. 01004.050X, LORO-X Pipe with one socket

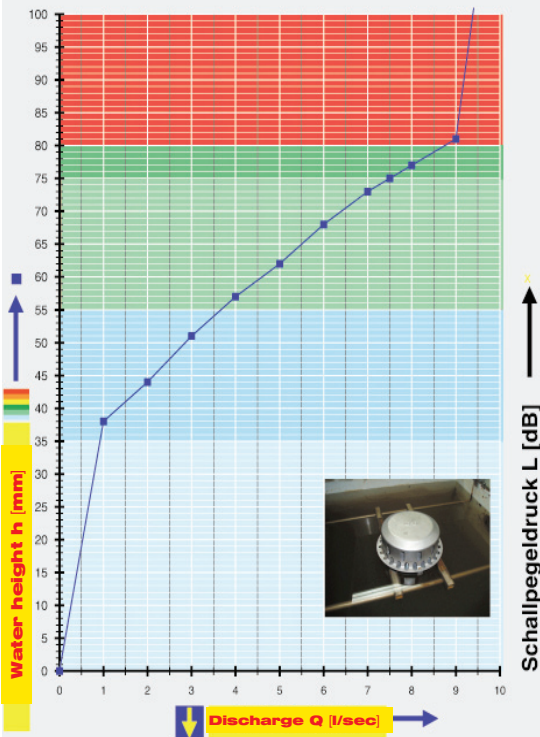
1 x Art.-Nr. 00320.050X, LORO-X Bend

6 x Art.-Nr. 00911.050X, LORO-X Sealing elements

1 x Art.-Nr. 00986.000X, LORO-X Lubricant

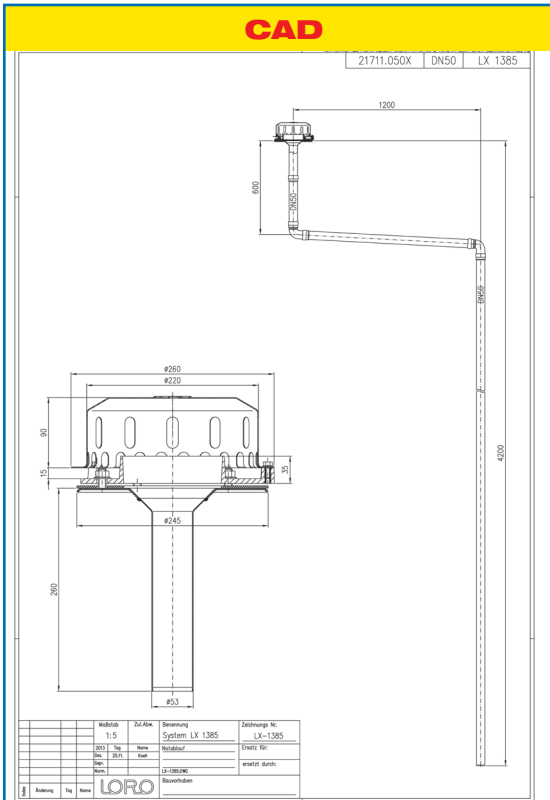


hQ - Head Discharge curve



Systempower

CAD



Systemshape

Water height	mm	5	10	15	20	25	30	35	40	45	50	55	60	65	70	75
Discharge	l/sec								1,3	2,1	2,8	3,7	4,5	5,5	6,4	7,5
Silent Power																

Choose drain for piece list on page one!

DN 50

without insulation

LX1385-5X

Drain Art.-No. 21711.050X

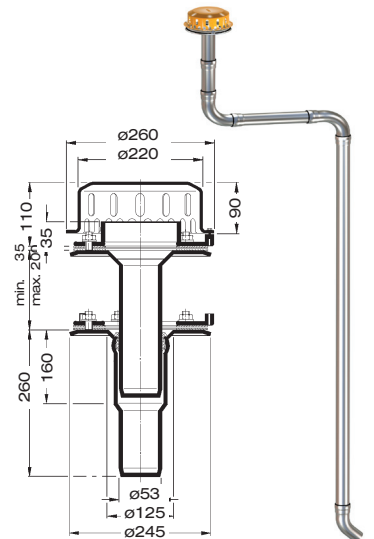
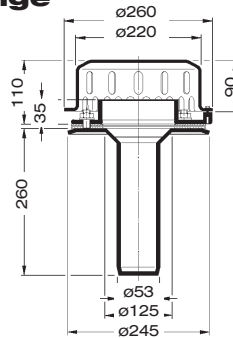
with clamping flange
one-piece



LX1385-6X

Drain Art.-No. 21721.050X

with clamping flange
two-piece



with insulation

LX1385-7X

Drain Art.-No. 21712.050X

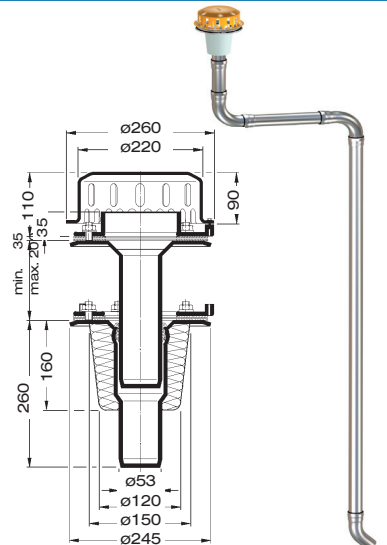
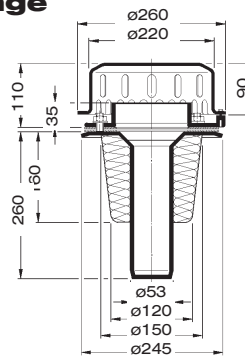
with clamping flange
one-piece



LX1385-8X

Drain Art.-No. 21722.050X

with clamping flange
two-piece



with insulation and heating

LX1385-9X

Ablauf Art.-Nr. 21713.050X

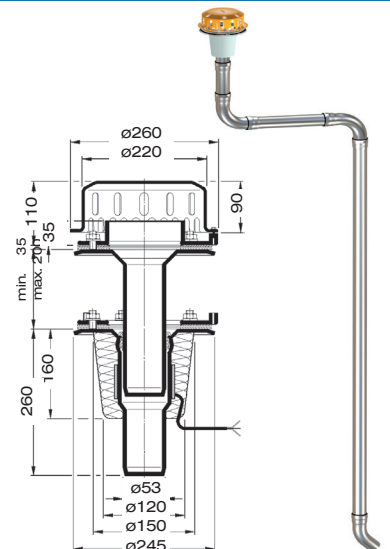
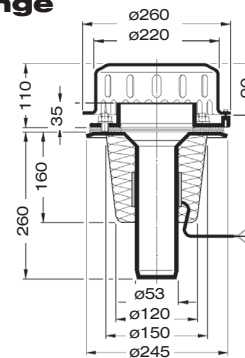
with clamping flange
one-piece



LX1385-10X

Ablauf Art.-Nr. 21723.050X

with clamping flange
two-piece



Heat tracing: Lorowerk recommends to check all drains and pipes with regard to their frost-sensibility. Where necessary, these parts should be upgraded with heat tracing.